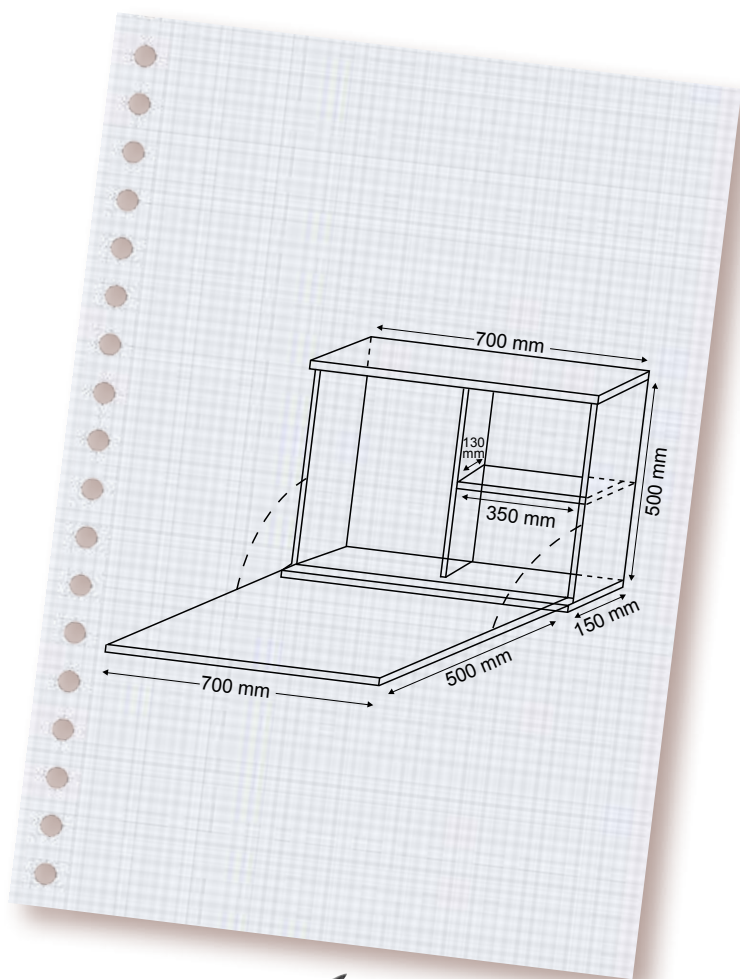


# Drinks Cupboard with Foldaway Serving Shelf

## Assembly Instructions

*Convenient storage with  
useful serving feature*



### CUT LIST

#### 18 mm Shutterply C+C grade

Top and bottom	2 x 700 mm x 150 mm
Sides and divider	3 x 500 mm x 130 mm
Shelf	1 x 350 mm x 130 mm
Door	1 x 700 mm x 497 mm

### YOU WILL ALSO NEED

Double roller catch  
2 x flat hinges  
Chain (1 x 250 mm and 1 x 500 mm) and chain connections  
Doorknob  
35 mm chipboard screws  
Waterproof wood glue  
Wood filler

# TIMBERCITY

Your Project Partner



[www.timbercity.co.za](http://www.timbercity.co.za)



### Step 1

Create a box by connecting the top and bottom (700 mm x 150 mm) x 2 to the sides (500 mm x 130 mm) x 2.

Drill pilot holes for the screws and countersink them.

Then apply wood glue and screw the pieces together.



### Step 2

Secure the vertical divider (500 mm x 130 mm) x 1 to the frame from the bottom and top, by drilling pilot holes and countersinking them before applying wood glue and inserting screws.

**Tip:** Use the shelf to check for the correct placement of the vertical divider which should be 350 mm from the right hand vertical side. (See picture in step 3 below.)



### Step 3

Secure the shelf (350 mm x 130 mm) to the divider and to the right hand vertical side with screws. The exact height of this shelf will be determined by what you want to store in the cupboard. Take a moment to measure the height of bottles and/or glasses that you might want to store before marking the position of the shelf and securing it with wood glue and screws.



**TIMBERCITY**  
Your Project Partner



[www.timbercity.co.za](http://www.timbercity.co.za)



#### Step 4

You are now ready to attach the door (700 mm x 497 mm) x 1, using the flat hinges. First connect the flat hinges to the door with screws. Now make sure that the door lines up on both sides before connecting the hinges to the bottom shelf. Now screw the double roller catch to the door and attach the other side of the catch to the inside of the top shelf.

#### Step 5

Attach the chain to the inside of the door and to the vertical sides. This will allow you to use the inside of the door as a serving surface. Make sure that the door is level and then secure the chain to both the door and the vertical sides. Connect the doorknob to the front of the door to facilitate easy opening and closing of the door. Fill screw holes with wood filler and leave to dry. You are now ready to rub the unit down with sand-paper before applying your choice of protective or decorative coating.



**TIMBERCITY**  
Your Project Partner



[www.timbercity.co.za](http://www.timbercity.co.za)